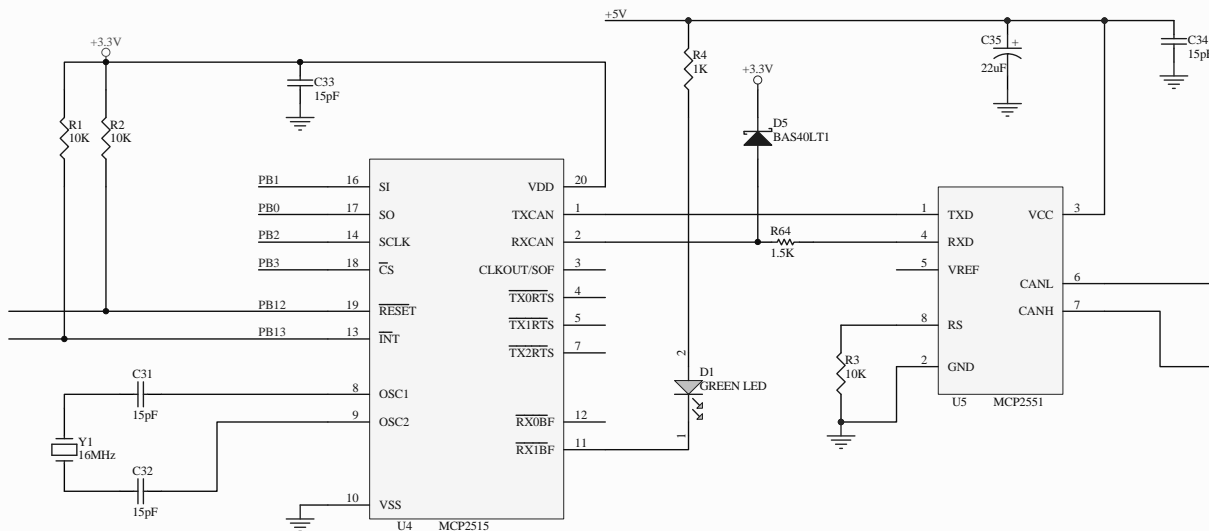
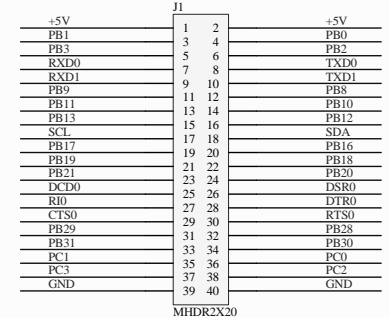


Note: the female receptacle mirrors the male header pins



Title		
Size	Number	Revision
B		
Date:	2012-06-12	Sheet of
File:	E:\SBC_\Serial_SchDoc	Drawn By: